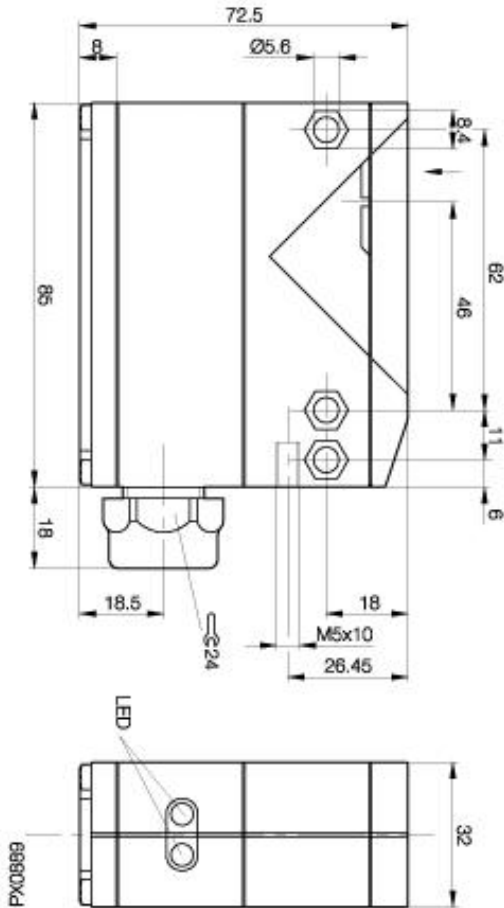


Photoelectric Sensor
BOS 65K-1-C200T-1
Sn=2000mm
Diffuse



Common Data

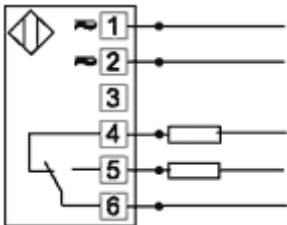
Series	65K
Sensortype	Diffuse
Switching frequency	2000 Hz
Rated operating distance Sn in mm	2000
asured operating distance Sa	adjustable
Repeat accuracy	< 5% from Sn
Indication Switching element on	yes, red LED
Indication Special funktion	LED green Stability indicator
Ambient temperature	-20...+55°C
On-delay	< 20ms
Off-delay	< 20ms
Light	Infrared
Sensitivity Adjustment	Poti
Blind zone / min Reflector distance	50mm/-
Special funktion	Time funktion
Permissable ambient light	3000 Lux
Output funktion	light-on or dark-on

Mechanical Data

Measurements	85x72,5x32
Shock	Halfsinus, 30gn, 11ms
Vibration	10...55Hz, 1,5mm Amplitude 3x2h
Housing material	Polycarbonat
Material of sensing face	PMMA
Degree of protection	IP67
Connection	screw terminals
Weigth	160g

Electrical Data

Current	AC/DC
Switching funktion	NO/NC
Output	Relais
Supply Voltage	17...264V AC/DC
Ripple	max. 6% from UB
Frequency of Supply Voltage	DC
Short protection	no
Rated insulation voltage	250V DC



Utilization categories
 Insulation class

Datasheet number:

Definitions see general catalog.
 If not otherwise noted, ratings according to
 IEC 60947-5-2 (DIN EN60947-5-2)

Balluff GmbH
 Schurwaldstrasse 9
 73765 Neuhausen a.d.F.
 Phone (07158) 173-0 Fax (07158) 5010

Datenblatt by CD-ROM - 04/2007

BALLUFF
 sensors worldwide